

AP5400##H

INCLUSIVE SHOWER CHAIR



CONTACT DETAILS

UK: Croydex, Central Way, Andover, Hampshire,
SP10 5AW, UK

EU: MIL, Unit 8 Purcellsinch Ind Est, Dublin Road,
Kilkenny, R95 HP71, Ireland

Tel: +44 (0)1264 365881

Email: info@croydex.co.uk

www.croydex.com

ALL PRODUCT DIMENSIONS DETAILED IN THIS INSTALLATION AND MAINTENANCE MANUAL ARE APPROXIMATE

ALL ILLUSTRATIONS OF THE PRODUCT ARE FOR REFERENCE ONLY. COMPONENTS SUPPLIED WITH INDIVIDUAL PRODUCTS MAY DIFFER



ALWAYS CHECK THE PACKAGING FOR FIXINGS AND PARTS BEFORE THROWING AWAY AND RECYCLING.

ENSURE YOU HAVE ALL THE FIXINGS AND PARTS BEFORE ATTEMPTING TO ASSEMBLE OR FIT THIS PRODUCT.

- Always follow the instructions provided to ensure that your product is assembled and fitted safely, and retains its high quality finish.
- Before attempting to fit or use this product, ensure that it can be properly installed in the desired location.

ALWAYS RETAIN THIS MANUAL FOR FUTURE REFERENCE

SAFETY & PRODUCT CARE

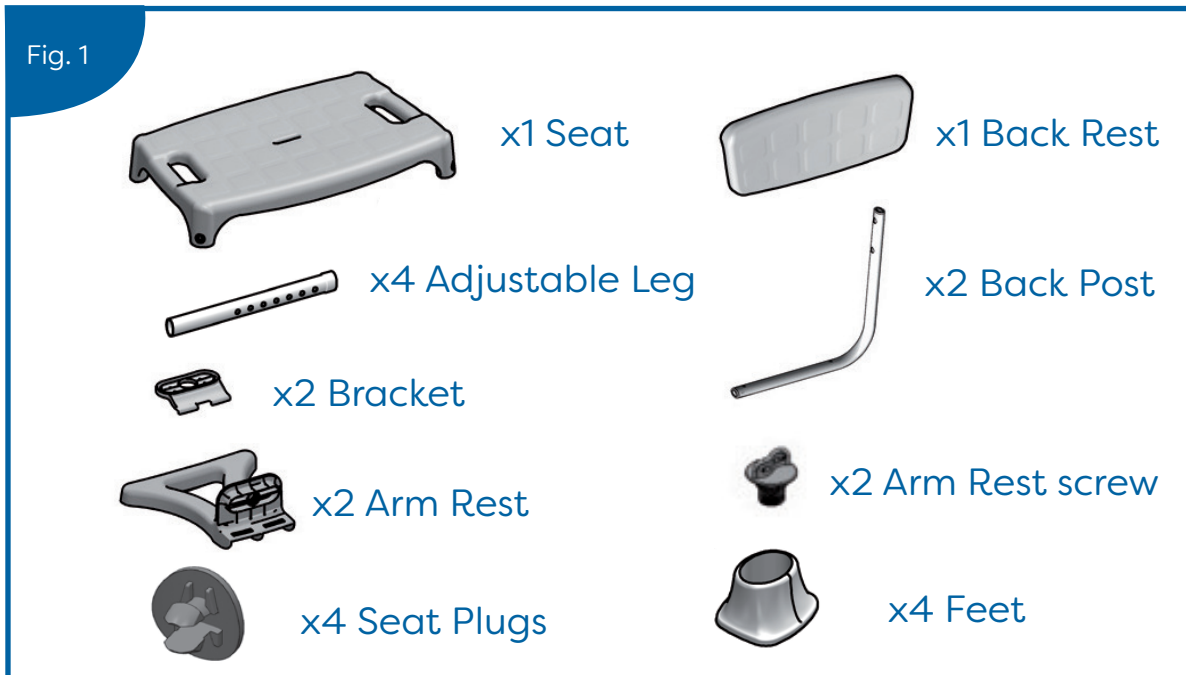
- 1. DO NOT** use power tools to assemble this product.
- 2. DO NOT** exceed the maximum user weight indicated in the fitting instructions.
- 3. ALWAYS** check the legs are level and locked in place and the arm rests and back rests are secure.
4. Only use on surfaces free from obstacles.
- 5. ALWAYS** assemble in accordance with the instructions provided.
- 6. ALWAYS** make sure all four feet are in contact with the supporting surface at all times.
- 7. DO NOT** modify the shower chair and its components in any way.
- 8. DO NOT** use the shower chair if damaged or altered in any way.
- 9. REMOVE** the shower chair after use.
- 10. DO NOT** stand or kneel on the shower chair.
- 11. DO NOT** use abrasive or chemical cleaners as these may damage the product.
- 12. ALWAYS** clean the product regularly with a soft damp cloth to retain the best quality finish.

FIXING PACK

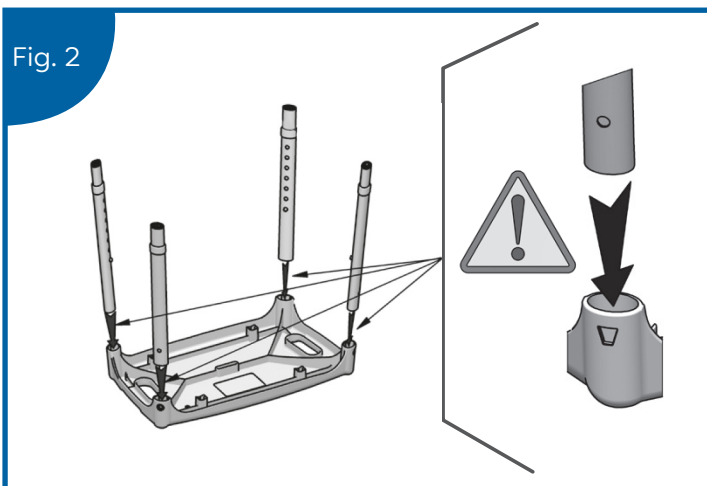


INSTALLATION

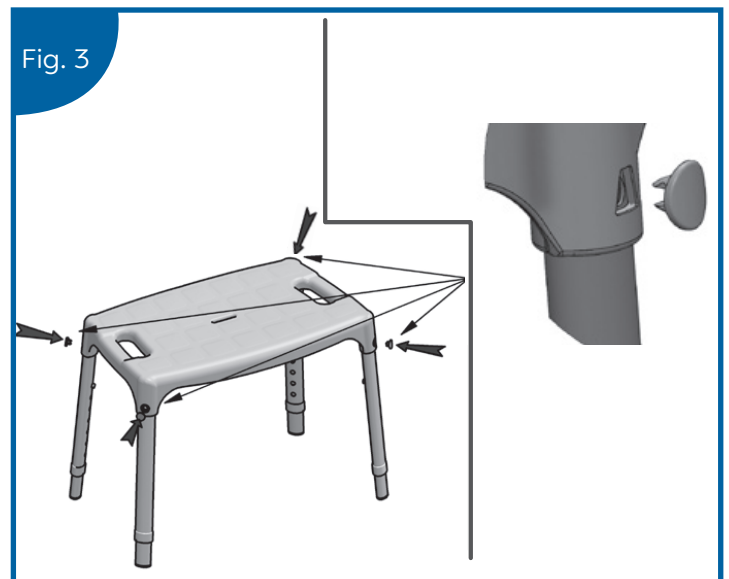
1. Check all components are in the packaging. (See fig. 1)



2. Firmly press all four adjustable legs into the bottom of the seat, ensuring that the adjustment holes are facing inwards and the fixing holes on the legs are aligned with the fixing holes in the seat. (See fig. 2) **Note: Ensure the thicker end of the leg is slotted into the seat to ensure the fixing holes line up and there is no movement.**

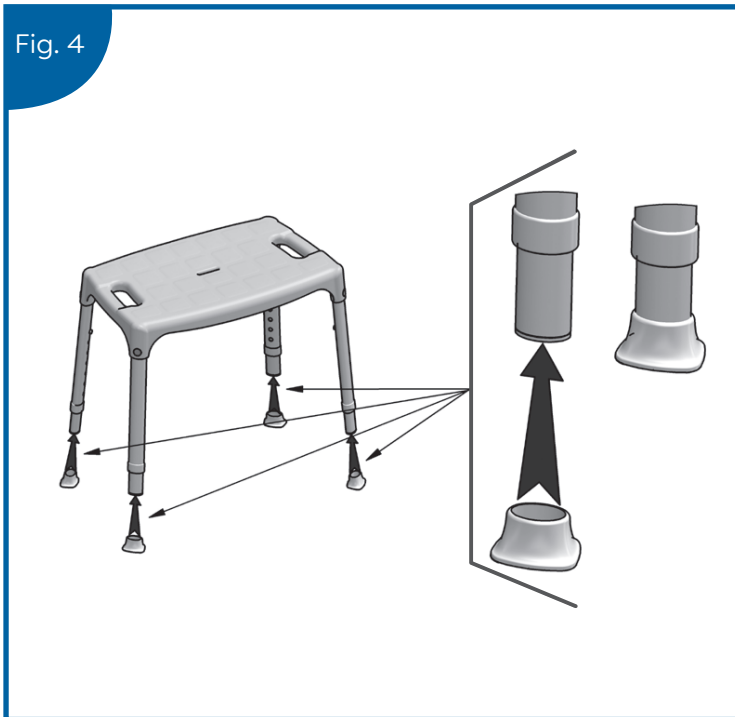


3. Press the seat plugs into the fixing holes to secure the adjustable legs to the seat. (See fig. 3) **Note: Ensure the seat plugs are aligned and orientated correctly.**



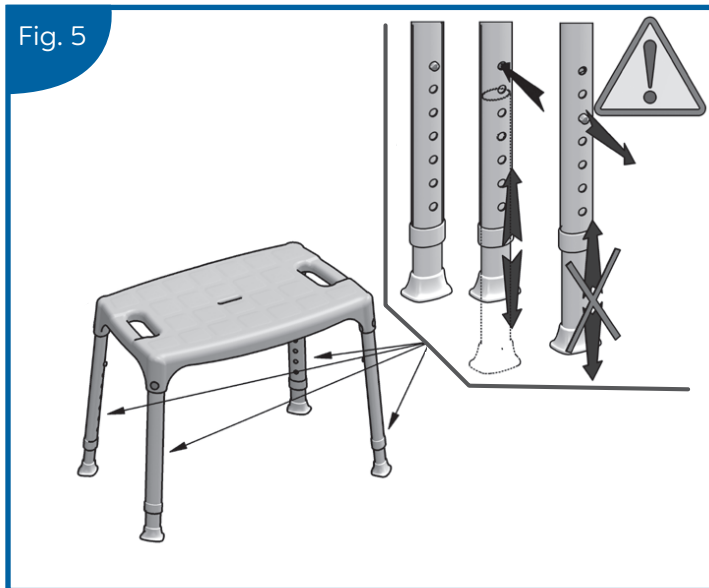
- 4.** Firmly press the feet onto the bottom of each adjustable leg. Ensure the feet are angled outwards. (See fig. 4)

Fig. 4



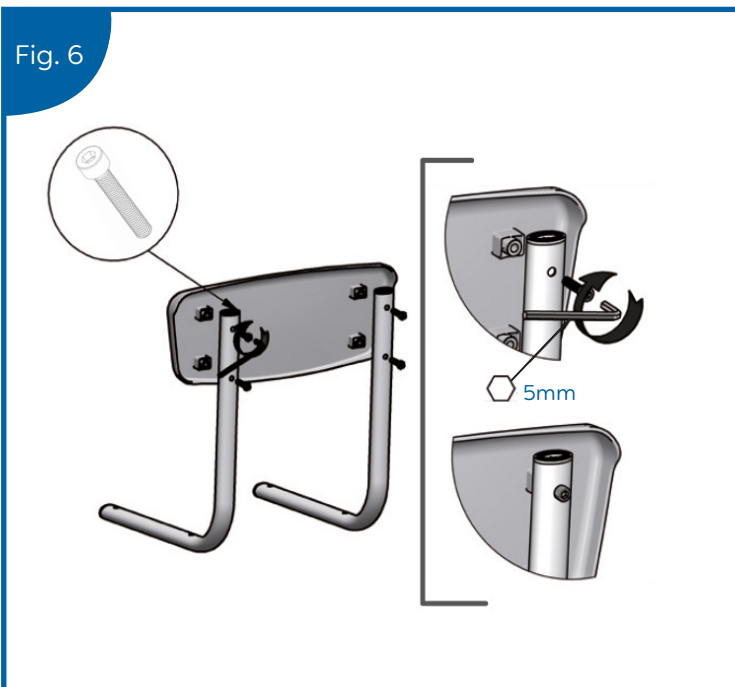
- 5.** The height of the chair can be adjusted by depressing the locking button on each leg then sliding the thinner leg section up or down. Ensure that the locking button is relocated into one of the holes and check that the adjustable leg is locked in place before use. (See fig. 5) **YOU MUST ensure that all legs are fully secured and are at the same height before use.**

Fig. 5



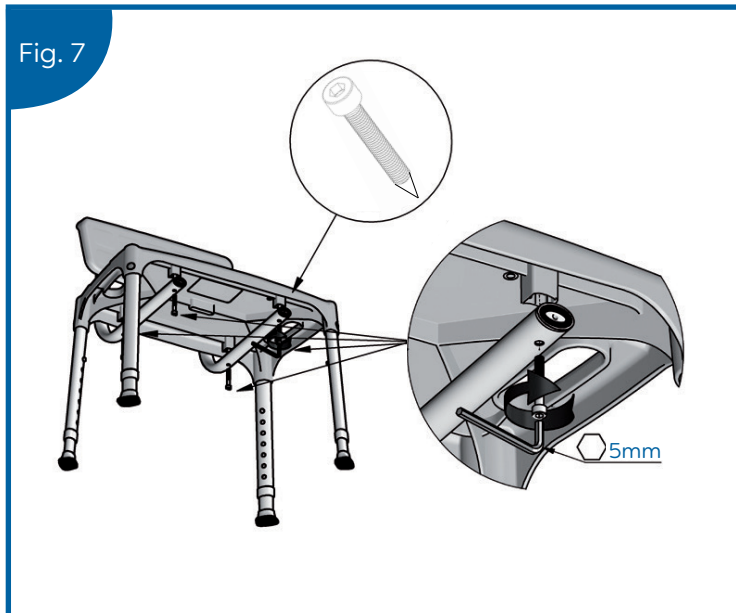
- 6.** Position the back posts over the screw holes in the back rest. Insert 4x screws 'B' and tighten with the 5mm Hex Key to secure in place. (See fig.6) **DO NOT OVER-TIGHTEN. Note: Ensure both back posts are secured facing inwards.**

Fig. 6



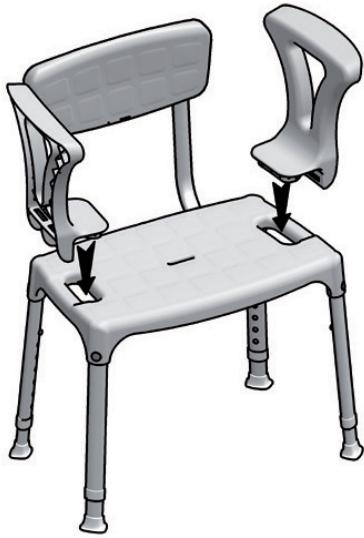
- 7.** To secure the back posts to the bottom of the chair first ensure the back rest is positioned against the shortest side of the seat when viewed from above. Then line up the fixing holes in the bottom of the seat with the fixing holes in the back post. Insert 4x screws 'A' and use the 5mm Hex Key to tighten and secure the back rest in place. (See fig. 7) **DO NOT OVER-TIGHTEN.**

Fig. 7



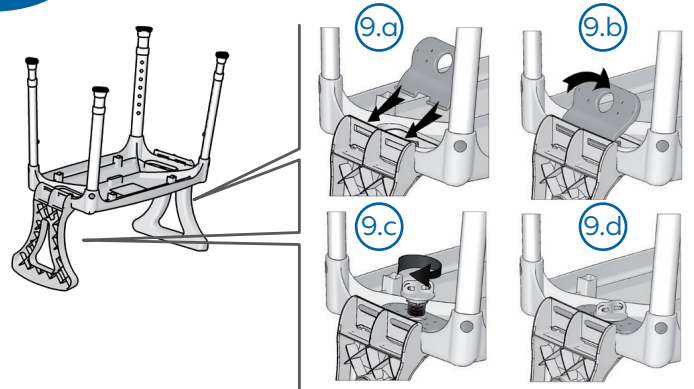
- 8.** Slot both arm rests into the sides of the chair. (See fig. 8)

Fig. 8



- 9.** To secure the arm rest in position, insert the two tabs on the bracket through the slots in the arm rest. Push the bracket down fully and insert arm rest screw. Turn clockwise to secure the arm rest in place. Repeat this for the other arm rest. (See fig. 9)

Fig. 9



- 10.** The chair is fully assembled and ready to be used. (See fig. 10) **Note:** Ensure you have read the safety and product care section before use.

Fig. 10

MAX USER
WEIGHT:
175KG
386LB

